

Unfused Mechanical Interlocks



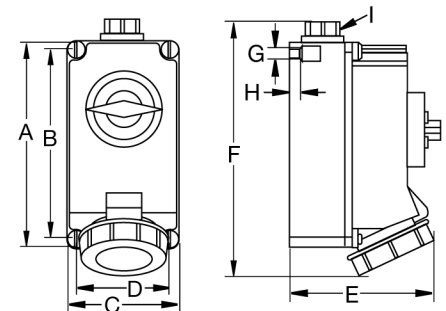
- 30 and 60 amp units provide top or bottom feed option (20 and 100 amp are top feed)
- NEMA 4X and 12 enclosures provide watertight and dust-tight protection
- Heavy duty disconnect switches are horse-power rated for motor load applications
- Watertight conduit hub and grounding plate included for use with metallic conduit

Amps	Poles/Wires	Configuration		Voltage	Interlock	Mating Plug*
		Recep./Conn.	Plug/Inlet			
20	3P 4W			240V AC 3Ø	420SMI9W	420P9W
	3P 4W			480V AC 3Ø	420SMI7W	420P7W
	3P 4W			600V AC 3Ø	420SMI5W	420P5W
30	2P 3W			120V AC	330SMI4W	330P4W
	2P 3W			240V AC	330SMI6W	330P6W
	2P 3W			480V AC	330SMI7W	330P7W
	3P 4W			240V AC 3Ø	430SMI9W	430P9W
	3P 4W			480V AC 3Ø	430SMI7W	430P7W
	3P 4W			600V AC 3Ø	430SMI5W	430P5W
	4P 5W			120/208V AC 3ØY	530SMI9W	530P9W
	4P 5W			277/480V AC 3ØY	530SMI7W	530P7W
32	3P 4W			380V AC 3Ø 50Hz 440V AC 3Ø 60Hz	432SMI3W	432P3W
60	2P 3W			120V AC	360SMI4W	360P4W
	2P 3W			240V AC	360SMI6W	360P6W
	2P 3W			480V AC	360SMI7W	360P7W
	3P 4W			240V AC 3Ø	460SMI9W	460P9W
	3P 4W			480V AC 3Ø	460SMI7W	460P7W
	3P 4W			600V AC 3Ø	460SMI5W	460P5W
	4P 5W			120/208V AC 3ØY	560SMI9W	560P9W
	4P 5W			277/480V AC 3ØY	560SMI7W	560P7W
	4P 5W			347/600V AC 3ØY	560SMI5W	560P5W
100	2P 3W			240V AC	3100SMI6W	3100P6W
	3P 4W			240V AC 3Ø	4100SMI9W	4100P9W
	3P 4W			480V AC 3Ø	4100SMI7W	4100P7W
	3P 4W			600V AC 3Ø	4100SMI5W	4100P5W
	4P 5W			120/208V AC 3ØY	5100SMI9W	5100P9W

Note: *Mating plug sold separately.

Product Dimensions Inches (mm)

	20A	30/32A	60A
A	8.86" (225.0)	10.24" (260.0)	10.24" (260.0)
B	8.19" (208.0)	9.45" (240.0)	9.45" (240.0)
C	4.65" (118.0)	6.30" (160.0)	6.30" (160.0)
D	3.98" (101.0)	5.51" (140.0)	5.51" (140.0)
E	5.00" (127.0)	6.78" (172.0)	7.68" (195.0)
F	9.65" (245.0)	11.68" (297.0)	11.97" (304.0)
G	0.26" (6.5)	0.32" (8.1)	0.32" (8.1)
H	0.31" (8.0)	0.39" (10.0)	0.39" (10.0)
I	¼" NPT	1" NPT	1¼" NPT



100A

A	18.11" (460.0)
B	17.32" (440.0)
C	7.09" (180.0)
D	6.30" (160.0)
E	8.19" (208.0)
F	20.08" (510.0)
G	0.33" (8.3)
H	0.26" (6.5)
I	1¼" NPT

